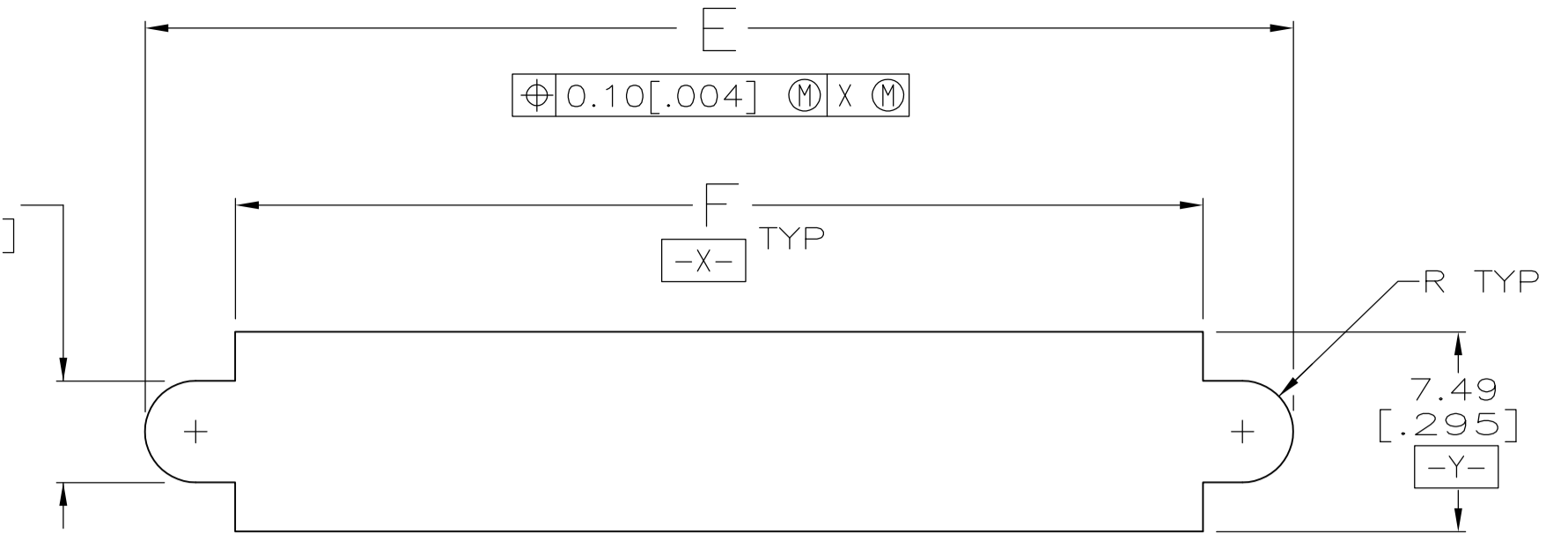
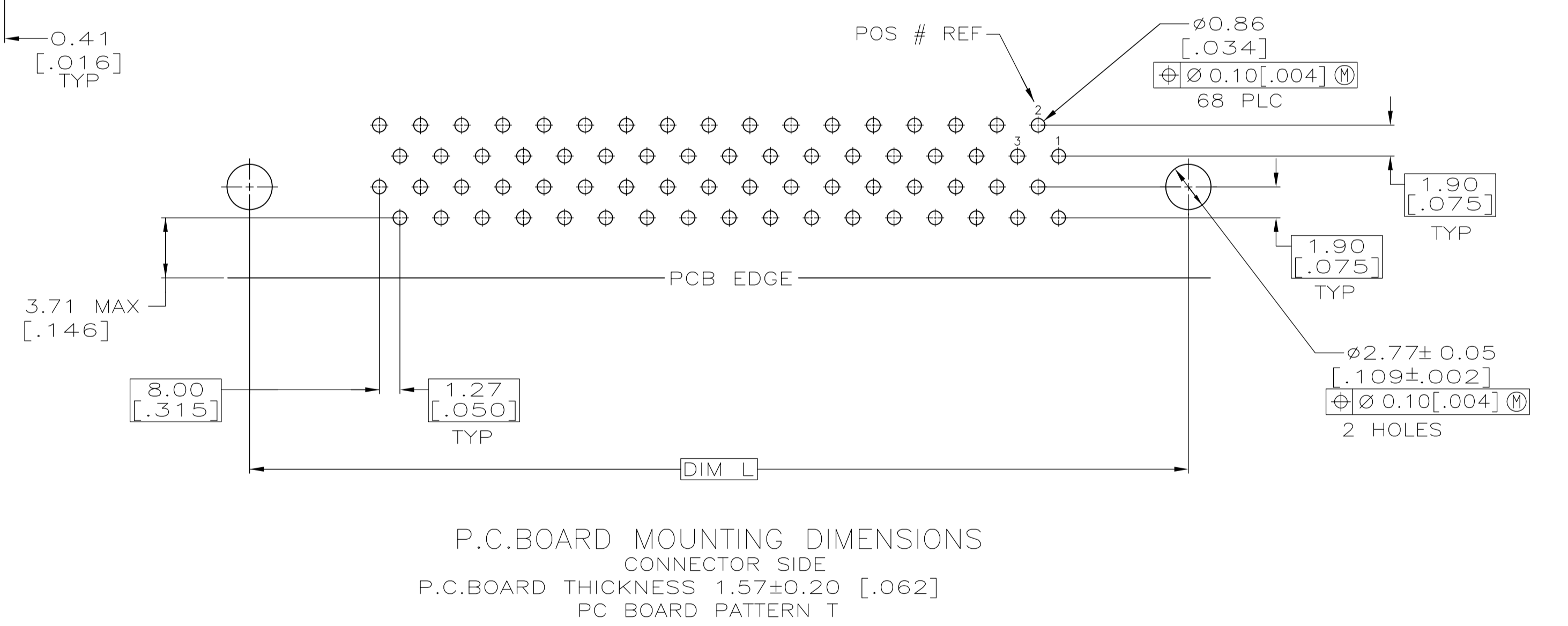
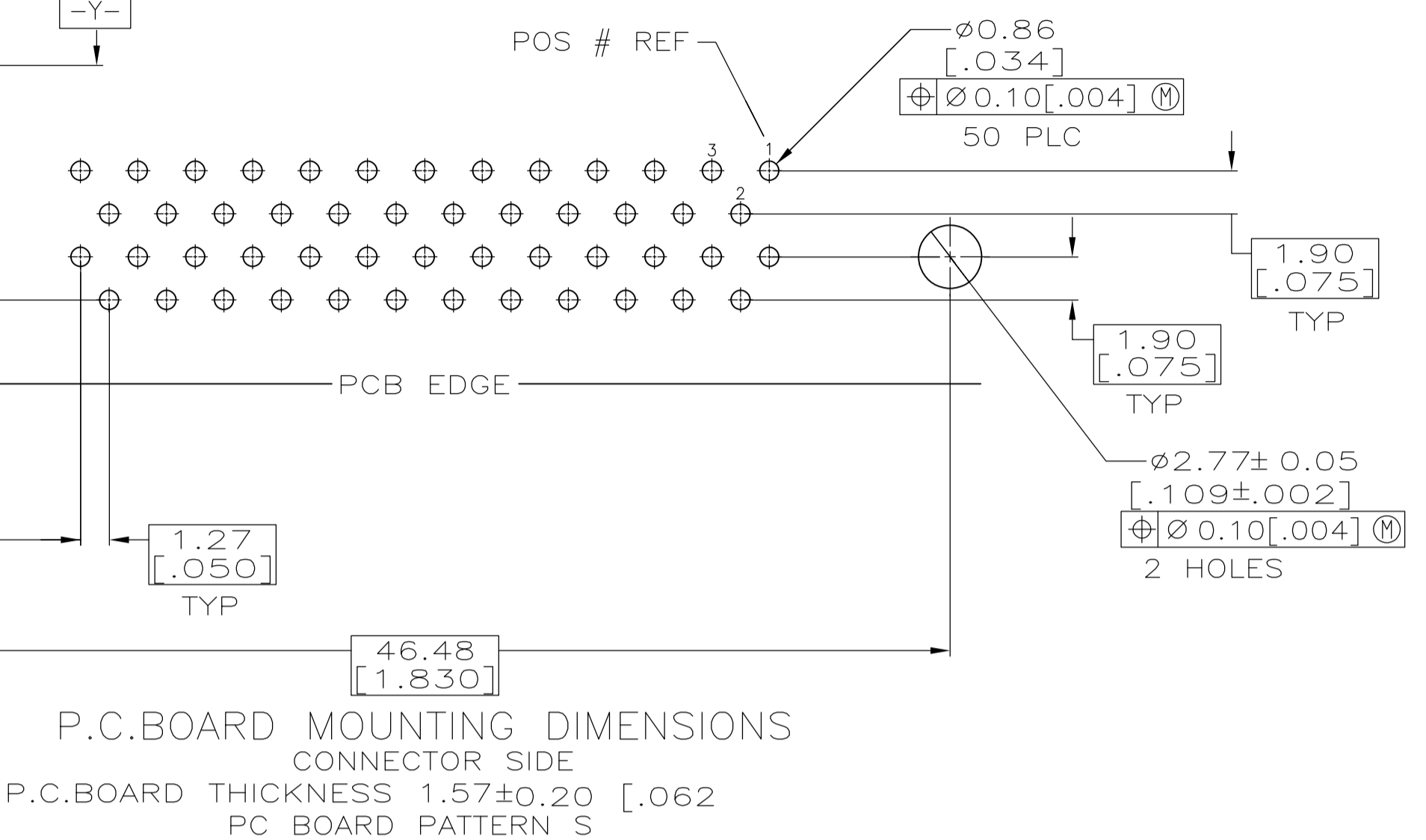
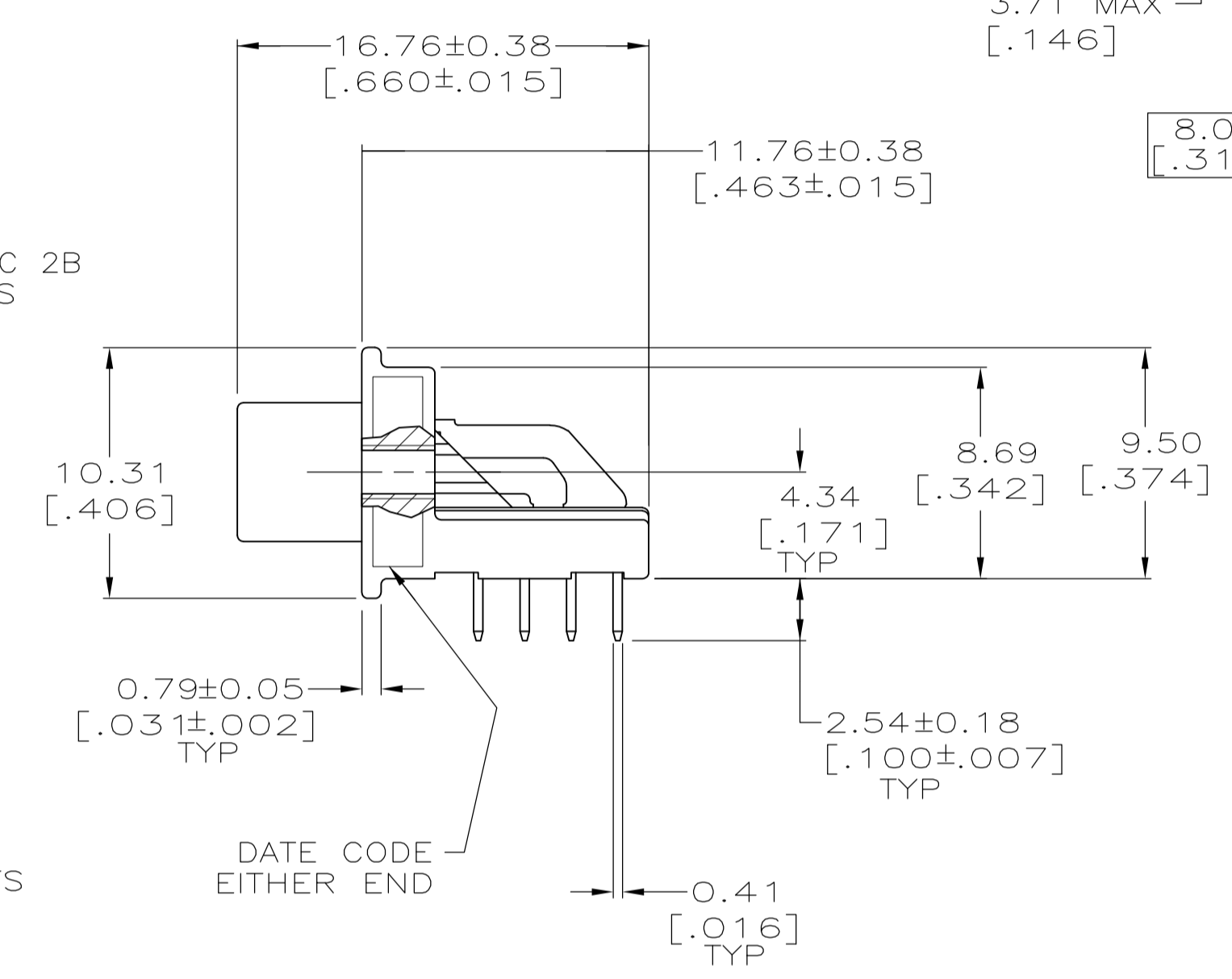


- 1 HOUSING & PIN SPACER: UL94V-0 RATED THERMOPLASTIC, COLOR BLACK.
SHELL: CARBON STEEL.
CONTACTS: PHOS BRONZE.
BRACKET: ZINC.
- 2 SHELL: 0.00508 [.000200] MIN NICKEL OVER 0.00127 [.000050] MIN COPPER.
CONTACTS: EITHER 0.00076 [.000030] MIN GOLD PLATE ON MATING END OR GOLD FLASH OVER PALLADIUM NICKEL PLATE, 0.00076 [.000030] MIN TOTAL ON MATING END. 0.00381 [.000150] MIN TIN ON SOLDER END, ALL OVER 0.00127 [.000050] MIN NICKEL ON ENTIRE CONTACT.
BRACKET: 0.00254 [.000100] MIN NICKEL OVER 0.00508 [.000200] MIN COPPER.



RECOMMENDED PANEL CUTOUT



	T	78.23 [3.080]	0.64 [.025]	69.44 [2.734]	82.04 [3.230]	84.20 [3.315]	66.45 [2.616]	78.23 [3.080]	100	5787169-9
	T	57.91 [2.280]	0.64 [.025]	49.12 [1.934]	61.72 [2.430]	63.88 [2.515]	46.13 [1.816]	57.91 [2.280]	68	5787169-7
OBSOLETE	S	-	1.27 [.050]	37.69 [1.484]	50.29 [1.980]	52.45 [2.065]	34.70 [1.366]	46.48 [1.830]	50	5787169-5
	PC BOARD PATTERN	L	G	F	E	D	B	A	NO OF POSN	PART NUMBER

THIS DRAWING IS A CONTROLLED DOCUMENT.

DIN J. GERACE 20JAN05
CHK S. SHUEY 13DEC05
APPD M. WALMSLEY 20JAN05
NAME RECEPTACLE ASSEMBLY, RIGHT ANGLE, SHIELDED, 1.27[.050] SERIES, AMPLIMITE

PRODUCT SPEC 108-1228
APPLICATION SPEC 114-40029

SIZE A1
CAGE CODE 00779
DRAWING NO. 5787169

RESTRICTED TO

CUSTOMER DRAWING SCALE 4:1 SHEET 1 OF 1 REV C1